

## **Mutineer Drawings:**

- A. Overall Specifications
- B. Main Sail
- C. Jib sail
- D. Mast and Boom
- E. Spinnaker
- F. Spinnaker Pole
- G. Rudder and Center Board
- H. Cannon Placement

**A:**

# Mutineer



L.O.A. - 15' 0"

L.W.L. - 14' 1"

Beam - 6' 0"

Draft - 4' 1"

Sail Area (TOTAL) - 157 Sq. Ft. Max

Main - 100 Sq. Ft.

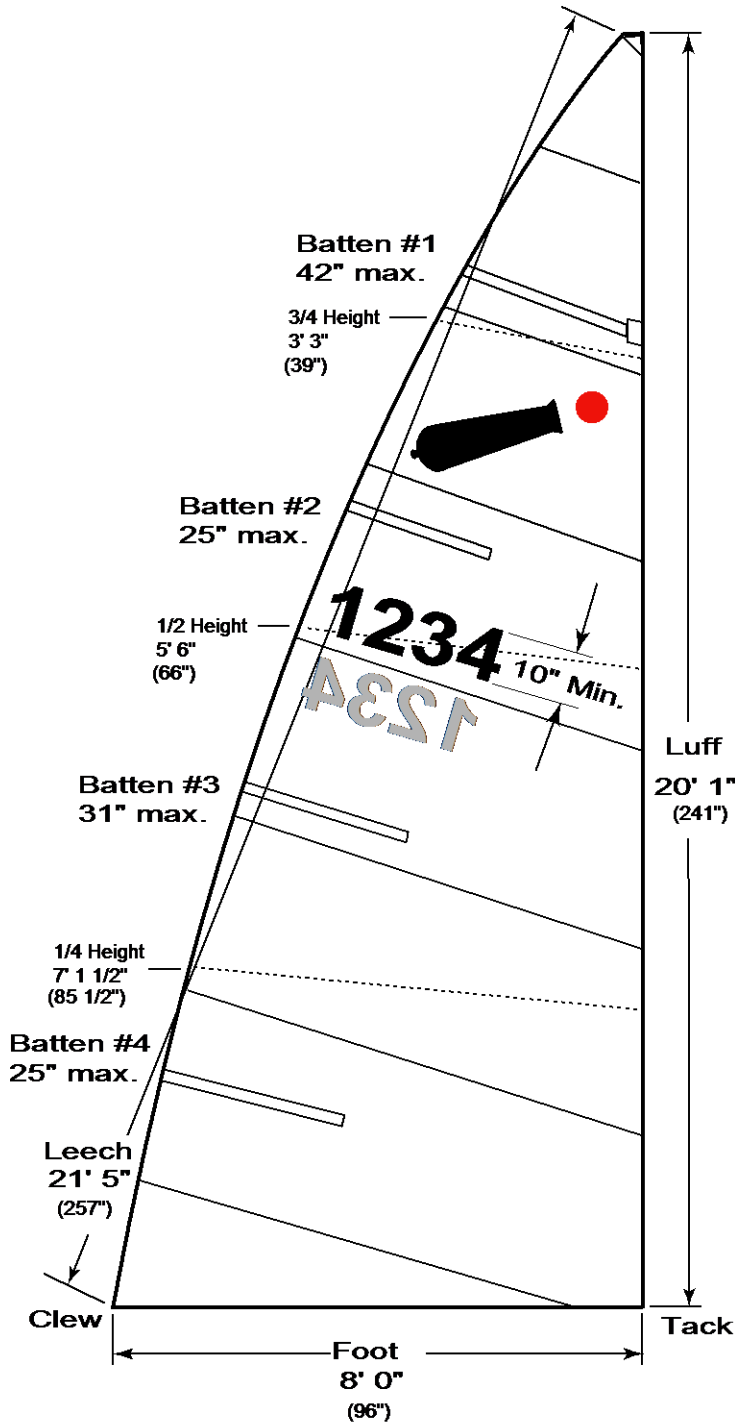
Jib - 57 Sq. Ft.

Spinnaker - 160 Sq. Ft.

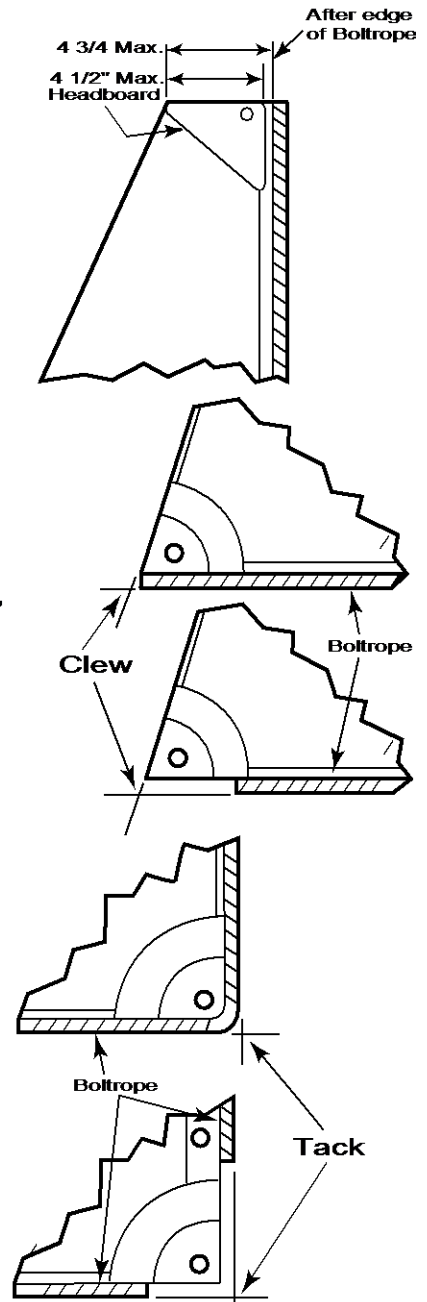
**Min. weight 410 lbs.**

See paragraph III.F.16  
of the Racing Rules  
for details

**B:**

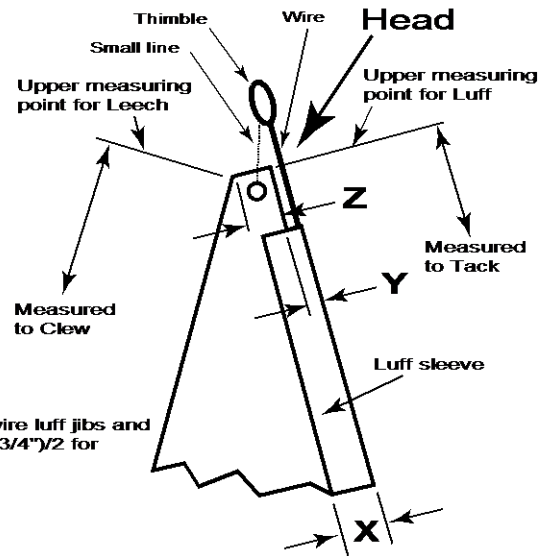
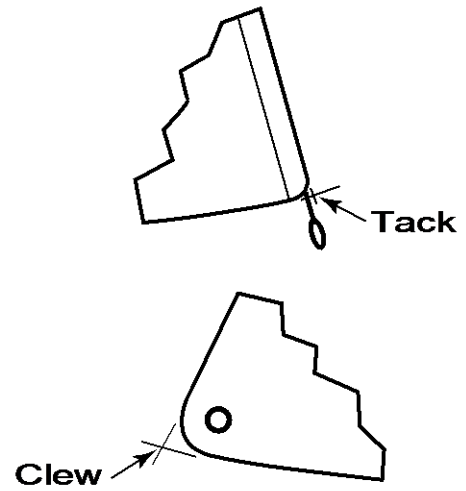
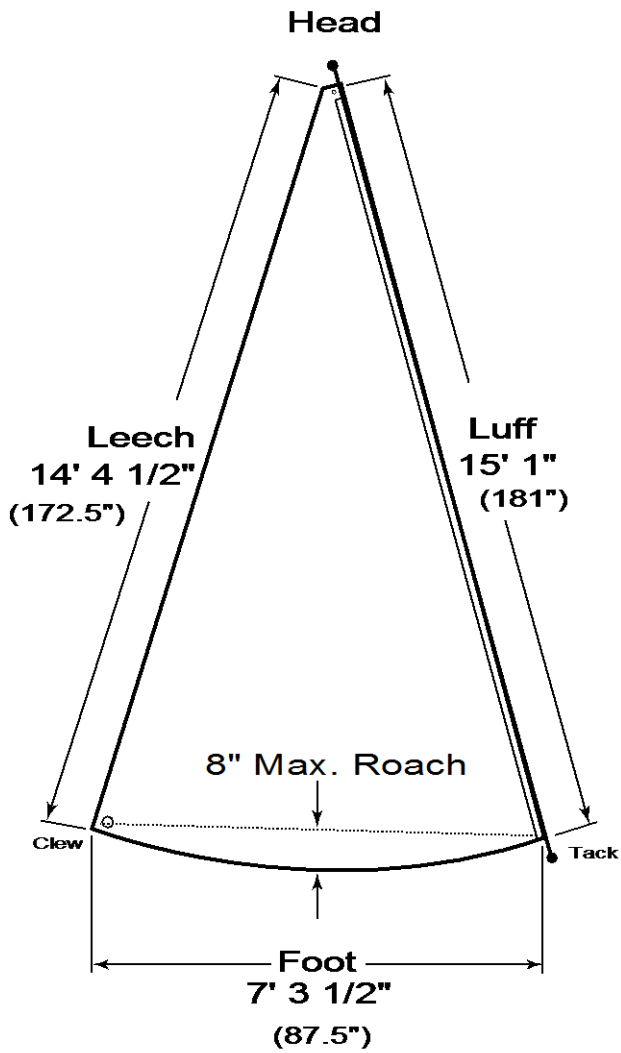


**Main Sail  
Definitions  
Mutineer**  
All dimensions are  
Maximum allowed



C:

**Jib Sail  
Definitions  
Mutineer**  
All dimensions are  
Maximum allowed



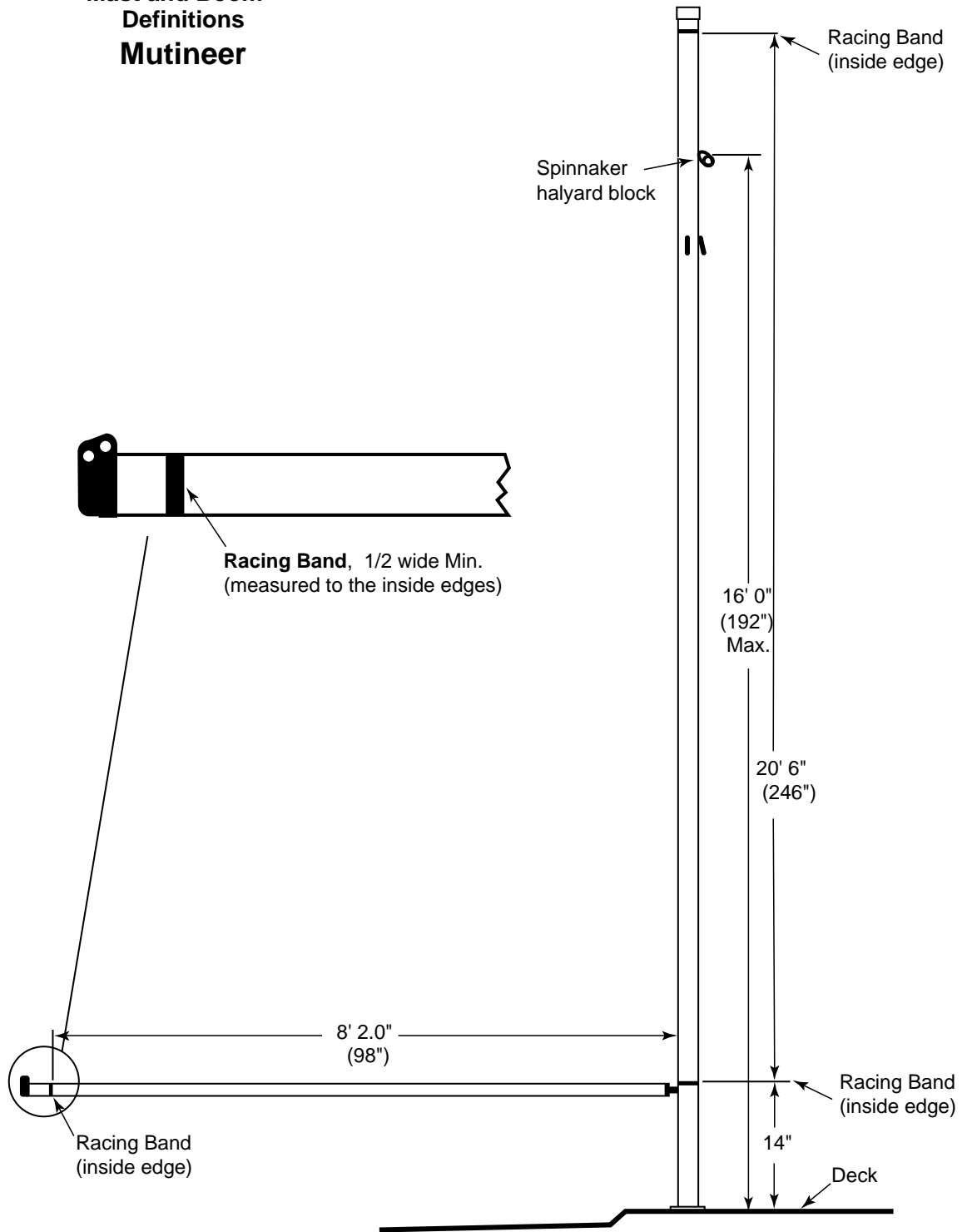
**X**- No limitation

**Y**- Less than or equal to 1/4" for wire luff jibs and  
(tube outer circumference plus 3/4")/2 for  
tube-on-tube luff jibs.

**Z**- Less than or equal to 2.0"

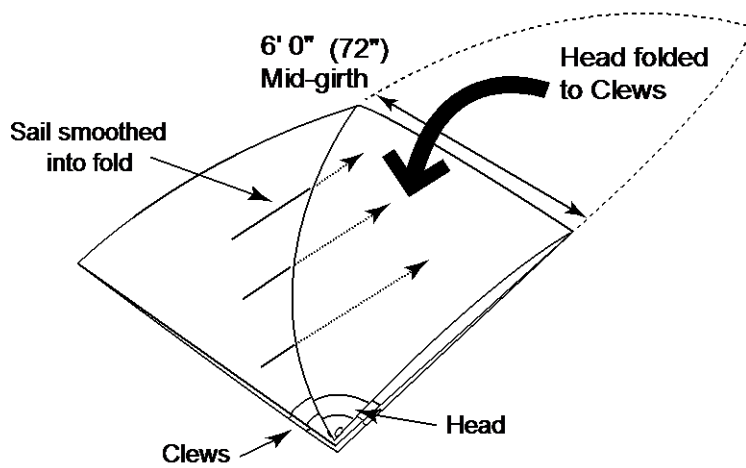
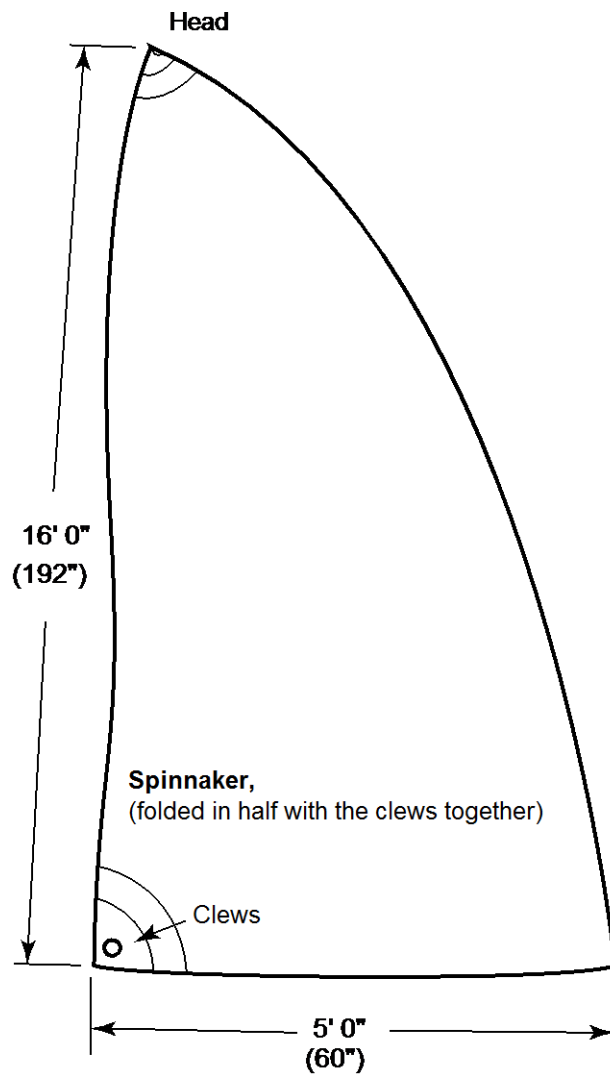
**D:**

**Mast and Boom  
Definitions  
Mutineer**



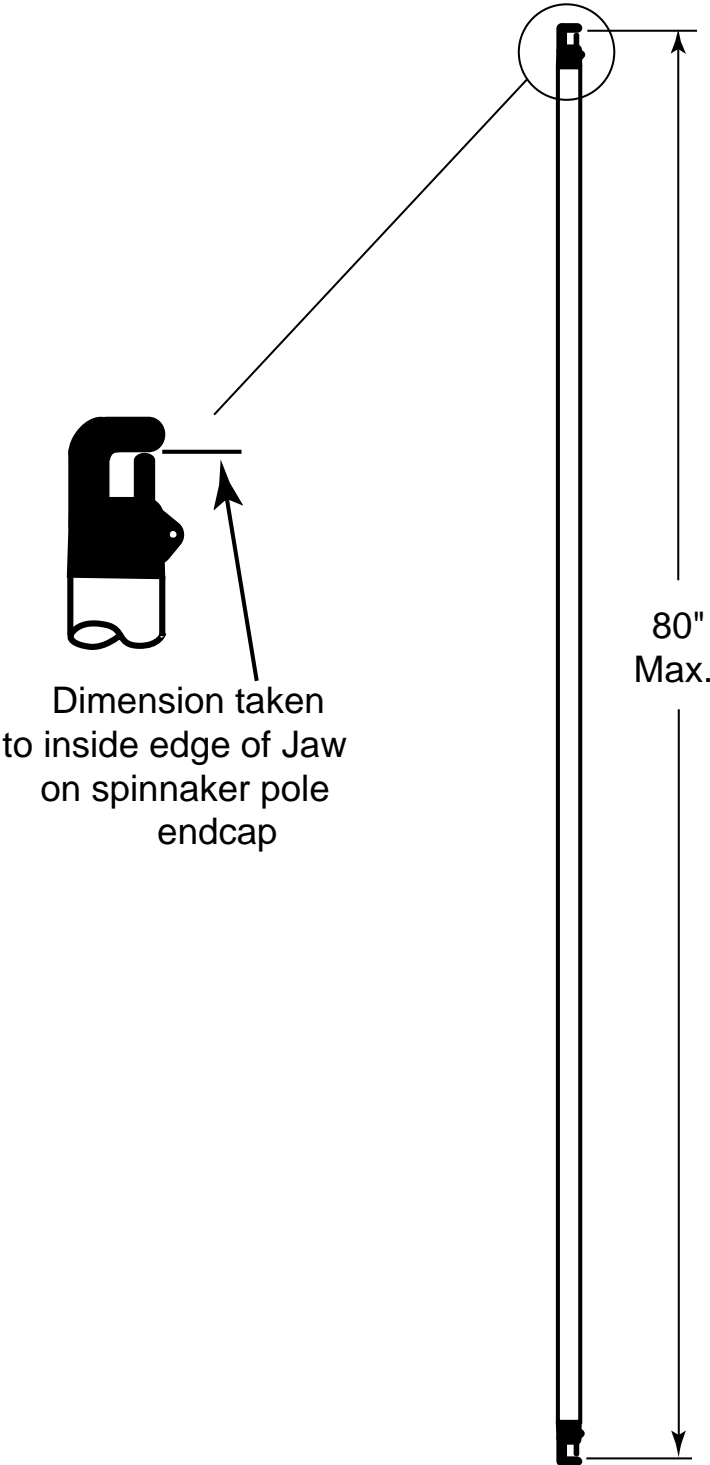
**E:**

**Spinnaker  
Definitions  
Mutineer**  
All dimensions are  
Maximum allowed



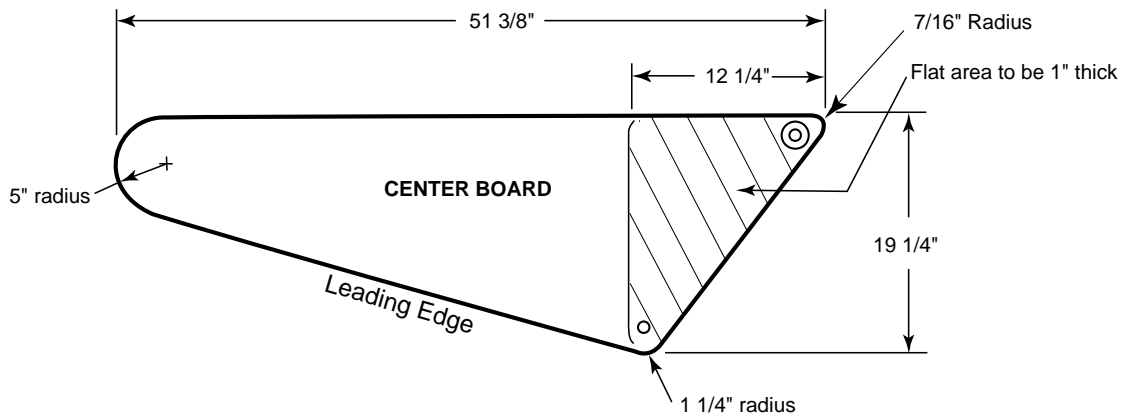
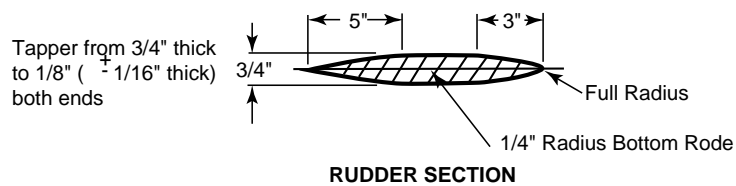
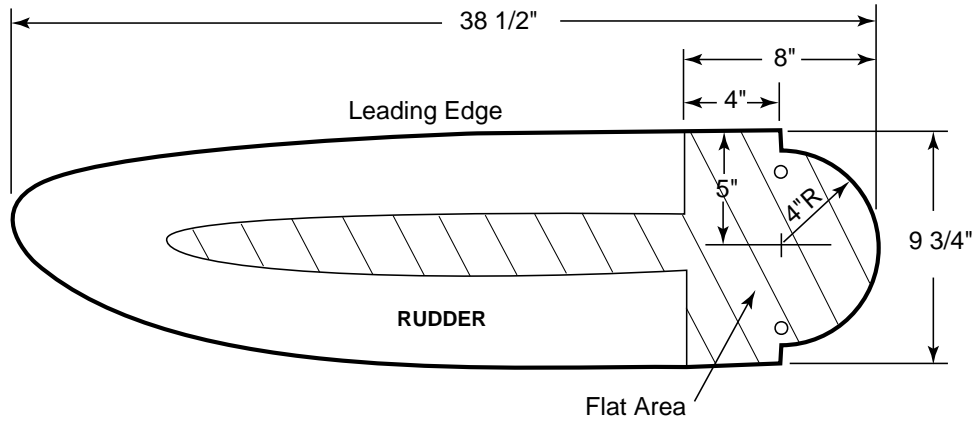
**F:**

**Spinnaker Pole  
Definitions  
Mutineer**



G:

**Rudder and  
Centerboard  
Mutineer**  
All dimensions are  
Maximum allowed



H:

**CANNON  
Logo placement  
Mutineer**

